



COMMUNITY DEVELOPMENT DEPARTMENT • BUILDING INSPECTION DIVISION
500 Castro Street • Post Office Box 7540 • Mountain View, California 94039-7540
650-903-6313 • FAX 650-962-8501

WATER HEATER BRACING

The State of California requires that all water heaters in our area be anchored or strapped to resist movement during an earthquake. This can be accomplished by installing any of the over-the-counter products specifically made for restraining water heaters (Example 1) or you can make your own out of a heavy-duty metal strap material (Example 2). It is required that at least two restraints are used, with one in the upper one-third and one in the lower one-third of the water heater. Fasten the anchor or strap to the structure, use a screw not less than 1/4" diameter with a minimum penetration of 1- 1/2" into a wood stud on the wall, with a washer between the head of the screw and the restraint. Below are examples of acceptable methods for restraining a water heater, other examples and earthquake preparedness information can be found on the web at www.seismic.ca.gov .

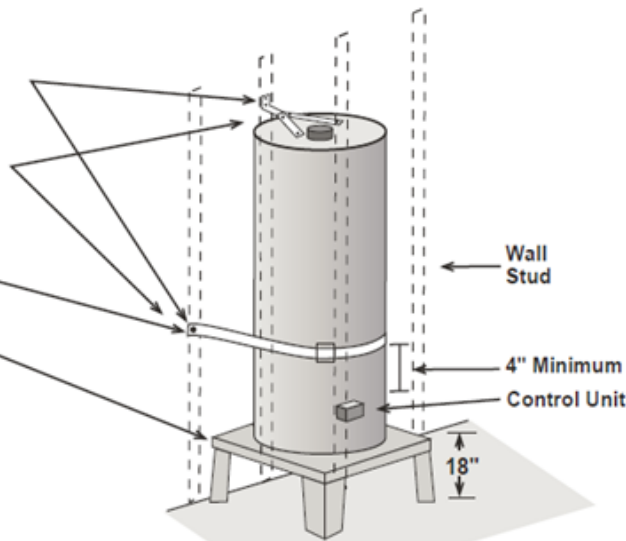
Example 1

These types of restraints are over-the-counter products sold at your local hardware store.

Drill pilots on center line of stud, insert screws through punched holes in strap. Use washers.

The lower strap must be a minimum of 4" above the control unit.

This 18" stand is required for heaters installed in a garage location.



Example 2

Minimum 22 Gauge metal strap material installed within the top 1/3 of the heater and the bottom 1/3 of the heater.

Drill pilots on center line of stud, insert screws through punched holes in strap.

Use minimum 1/4" screws with minimum 1 1/2" penetration. Use washers.

The lower strap must be a minimum of 4" above the control unit.

This 18" stand is required for heaters installed in a garage location.

